





CHARACTERISTICS

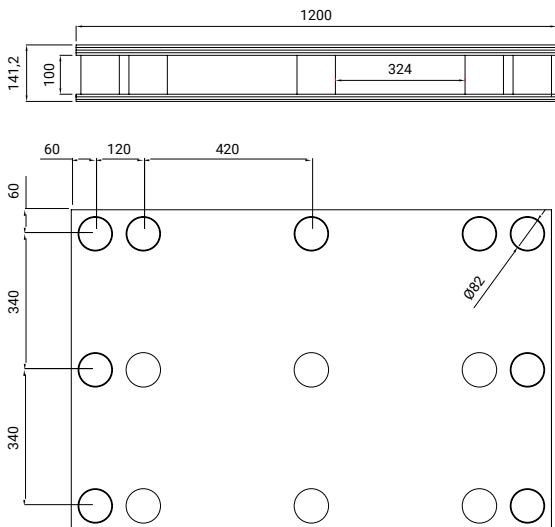
UPALET® is a pallet made of 100% recyclable⁽³⁾ materials (corrugated cardboard BC channel and cardboard tubes) joined by a combination of glues. Its exclusive patented mounting system^{®(4)} gives it excellent resistance, supporting its use with pallet trucks.

Maximum load ⁽¹⁾		Shipping	Pallet weight	Exportable ⁽²⁾
Static load	600-1500kg	Package units	 6,93 KG	 NIMF-15
Dynamic load	600-1000kg	Tautliner units		
Rack load	200-400kg	Container units		

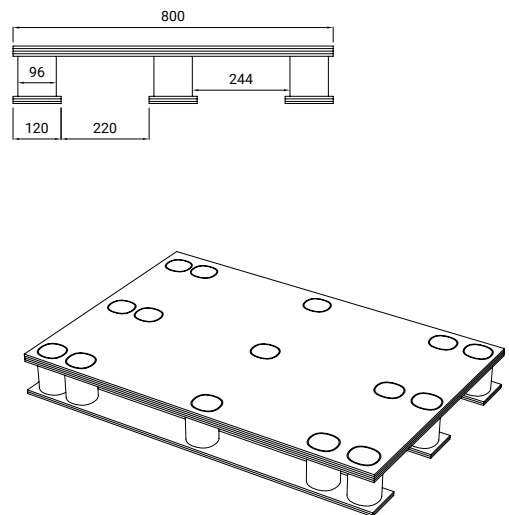
DIMENSIONS

UPALET® is accessible on all 4 sides although the area provided for the entrance of the shovels of the pallet truck is the width.

LARGE



WIDE



1_ The palet endurance information is a guideline and it is based on tests carried out according to the criteria of the internal and external technological institute. They were conducted using homogeneous load distribution, industrial cling film fastening and certain environmental conditions. We recommend the Upalet user adapts the palet for the use on a logistic circuit where he wishes to use it. If you have any queries contact our technicians or order the user manual at www.upalet.com.

2_ There is no need for any additional document for export, since unlike wood, paper does not require any thermal or phytosanitary treatment (ISPM 15), complying with international regulations.

3_ Manufactured 100% with recycled raw materials. Upalet is 100% recyclable since it complies with Law 11/1997 on Containers and Packaging Waste.

4_ Upalet® patented product by Mandriladora Alpesa S.L.